

# Mounting Kit 53689-MKPB-QLIV

## Nissan Titan XD 5.6L V8 Gas 4x4 2017-19

For snowplow lights, this kit requires:

800084,800085 or 800086 light kit.

800102-MPX light adapter for LED lights.

800103-MPX light adapter for Halogen bulb.

The Snow Plow Prep Package GAWFR 4,900 lb

The TITAN XD Gas body configurations with the V8 gas engine – Single Cab, King Cab and Crew Cab – S and SV grade levels.

**Do not install the power unit ground cable to the battery, install on the vehicle chassis ground bolt.**

Note: This vehicle, as received from the manufacturer, has a very low ride height. Suspension modifications may be required in order to achieve sufficient ground clearance to install a snowplow.

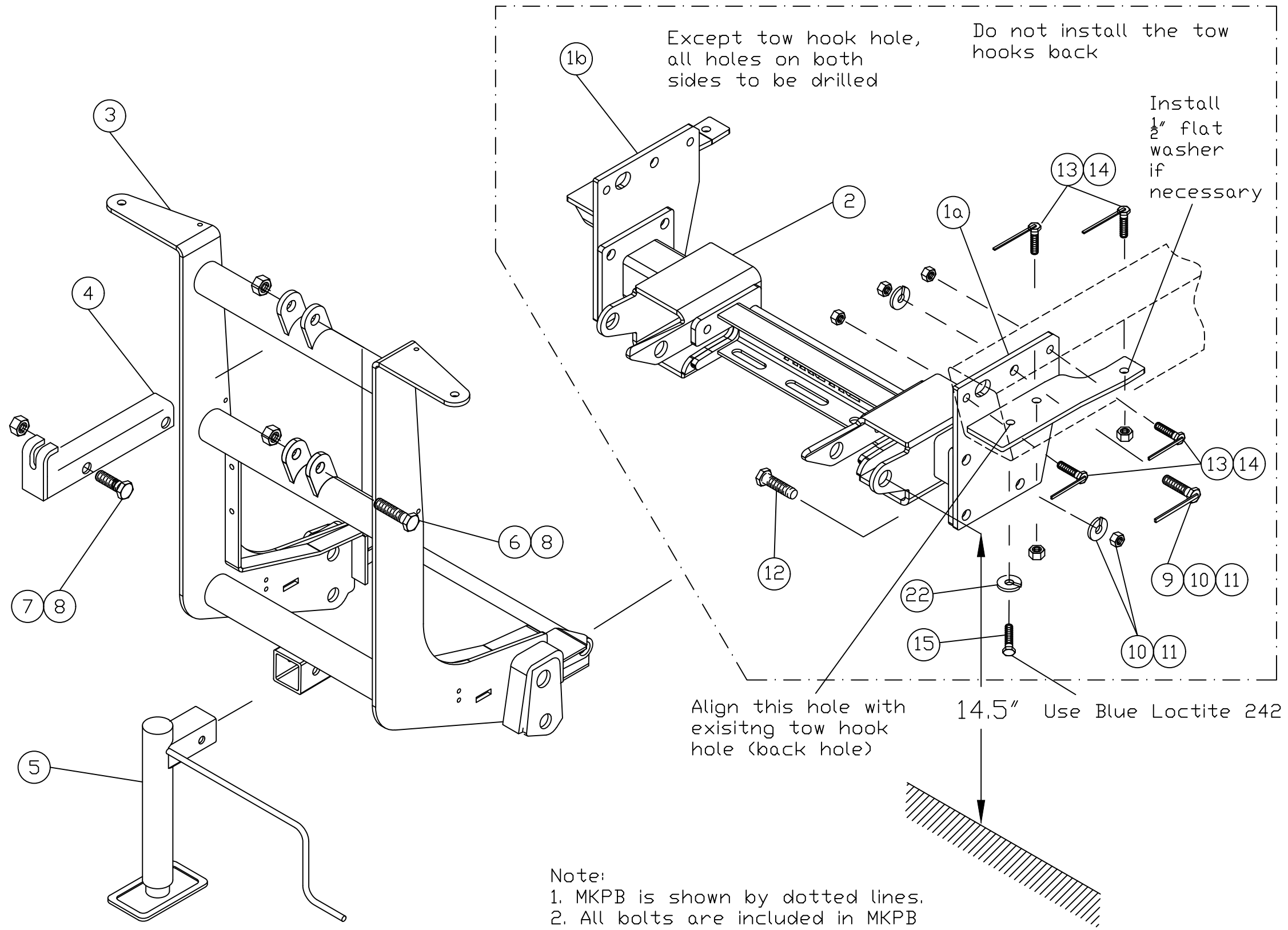
**▲ Warning**

Arctic Equipment Manufacturing Corporation (Arctic) does not assume liability for damage to your motor vehicle resulting from the attachment or use of an Arctic snowplow. The purchaser assumes all vehicle risk associated with the attachment and operation of this snowplow.

The Arctic snowplow you purchase must be used only on vehicles equipped with the manufacturer's snow plow preparation packages. Snow plowing without the original plow preparation package may damage your vehicle. The added weight may impair the operation and control of your vehicle. Snow plowing with a vehicle not recommended for that purpose by the manufacturer may void your new vehicle warranty. If your vehicle is not equipped with an original snow plow preparation package, additional equipment may be necessary before snow plowing. Please consult your vehicle and snowplow dealers prior to the purchase and installation of the snowplow. The installation of such parts however is not a full substitute for the original equipment snowplow preparation package.

The loaded vehicle, including all aftermarket accessories, the snowplow, passengers and cargo, must not exceed the gross vehicle weight ratings (GAWR), front gross axle weight rating (FGAWR) or rear gross axle weight rating (RGAWR) specified on the Safety Compliance Certification Label located in the driver's side door opening. It is the operator's responsibility to verify that these rating are not exceeded. The use of rear ballast weight may be required to prevent exceeding the front GAWR.

To determine the Gross Axle Weights for your vehicle, including all aftermarket accessories, the snowplow, passengers and cargo, take your loaded vehicle and the snowplow to a scale. With the snowplow attached, place the front wheels of the vehicle on the scale to get the front gross axle weight (FGAW). To get the rear gross axle weight (RGAW), place the back wheels of the vehicle on the scale.



Note:  
 1. MKPB is shown by dotted lines.  
 2. All bolts are included in MKPB  
 3. Please use LOCTITE®, or similar locking product on ALL mounting hardware (bolts, nuts, etc.).

53689-MKPB-QLIV			
Item	Part #	Description	Quantity
1a	53691-01-B	D/S Mounting Bracket	1
1b	53691-02-B	C/S Mounting Bracket	1
2	53690-D	Spreader Bar	1
3	53661-D	Lift frame- Homeowner plow	1
3a*	53171-D-GA	Lift Frame, QUIK*LINK® II-Hi boy	1
3b	53517-D	Lift Frame, QUIK*LINK® IV- Hi boy	1
3c*	53564-D	Lift Frame, QUIK*LINK® IV-Low mount	1
3d*	53424-D	Lift frame, QUIK*LINK® II- Low mount	1
4	50069-C-GA	Lift Channel (1 ½" cylinder)	1
4a	52612-B-GA	Lift Channel (2" cylinder)	1
5	52373-M	Jack Assembly	1
6	HH-00972-153	3/4"x3.1/2" UNF Cap screw	2
7*	HH-00972-149	3/4"x2.1/2" UNF Cap screw	1
8	HH-00973-007	3/4" UNF Thin Collar Locknut	3
9	52575-05-A	5/8" x 1.1/2" bolt weldment	2
10	HH-00460-001	5/8"-18 Hex Nut	10
11	HH-00457-003	5/8" Lock Washer	10
12	HH-00972-129	5/8"-18x1.3/4" HHCS	8
13	52941-01-A	Cap Screw ½" NF Grade 8 weldment	8
14	HH-011026-002	½"-20 Grade 8 Nylon Insert Locknut	8
15	HH-00931-056	M12x1.25x40mm Capscrew	2
16	HH-00972-155	¾" x 4" UNF Cap screw	1
17*	HH-00293-006	1/4" x 1" Cap screw	4
18*	HH-00457-006	1/4" Lock washer	4
19*	HH-00341-002	1/4" Flat washer	4
20*	HH-00294-001	1/4" Hex nut	4
21*	50999-B	Blade guides	2
22	HH-00933-004	12mm Lockwasher	2

Quick Link is a trademark of Arctic Equipment Manufacturing Corporation.

\* These items are not shown on the drawing.

## Installation Instructions

Before drilling any holes in the firewall or frame, move brake lines, fuel lines and/or electrical wiring from the path of the drill. Brake and fuel lines must also be clear of any fasteners. Do not under any circumstances disable, remove or relocate any sensors or other components related to the operation of the air bags.

General order of installation:

- install all components (mounting bracket, thrust arm and spreader bar) and all fasteners finger tight (snug) through existing holes,
- use removable grade LOCTITE #242 on all bolts,
- drill necessary holes and
- tighten all hardware.

After first use, re tighten all mounting bolts; thereafter check mounting bolt tightness periodically and at the start of the season.

Before proceeding, read instructions carefully and familiarize yourself with the components and hardware.

NOTE: It may be necessary, on some vehicles, to use a form of load booster to decrease the vehicle's front suspension sag when snowplows is attached to the vehicle. This can be done with the use of booster springs, supplementary air bags or similar load boosting devices. It is up to the customer to choose and purchase the product that suits this application.

Arctic Equipment Manufacturing reserves the right, under its product improvement policy, to change construction, design details or specifications without notice or without incurring any obligation.

1. Remove the skid plate of the truck, which is fastened by two bolts upfront (both sides) and three bolts far end of the plate. Do not reinstall skid plate.
2. Tow hooks on each side have to be removed. Do not reinstall tow hooks back on the truck.
3. Ensure proper alignment of the Mounting Brackets (#1a,#1b) on the vehicle's frame (Refer to the attached drawing).
4. Insert 12mm bolt (#15) in the hole shown on the picture, 12mm lockwasher (#22) in between and tighten them, that secure mounting brackets to the vehicle's frame. Be sure that mounting brackets are tight to the frame before start drilling.
4. Using holes in the mounting brackets as guides, drill holes on the vehicle's frame (4x1/2" holes and 1x5/8" hole).
5. Install 1/2" bolts and 5/8" bolt with welded handle on the side and bottom of the frame, securing it with lock washer, locknuts and hex nuts.



6. Loosen 12mm bolt that was previously tightened on the brackets(#1a, #1b).
6. Slide the spreader bar (#2) between mounting brackets(#1a, #1b).
7. Use four 5/8" x 1.3/4" bolt (#12), four 5/8" lockwasher (#11) and four 5/8" hex nut (#10) on each side to secure the mounting brackets to the spreader bar (#2).
8. To plug the light harness (800102-MPX) into truck's headlight, remove the inner fender that is secured by two bolts (one on the outside and other on extreme inwards).



9. Run the light harness (800102-MPX) from driver side to curb side by removing vehicle's front grill.



10. Torque all fasteners as per the Torque Chart.
11. Slide the lift frame into spreader bar.
12. Assemble lift channel and lift cylinder at the top of lift frame.

Suggested torque value for bolts				
Thread Size	Grade 5		Grade 8	
	Dry (ft. lb)	Oiled (ft.lb)	Dry (ft. lb)	Oiled (ft.lb)
¼-20	8	6	12	9
¼-28	10	7	14	11
5/16-18	17	13	24	18
5/16-24	19	15	27	21
3/8-16	31	24	44	34
3/8-24	35	27	49	38
7/16-14	49	38	70	54
7/16-20	55	42	78	60
½-13	75	58	105	82
½-20	85	65	120	90
5/8-11	150	115	210	165
5/8-18	170	130	240	185
¾-10	270	205	375	290
¾-16	295	230	420	320
7/8-9	395	305	605	455
7/8-14	435	335	670	515
1-8	590	455	905	695
1-14	660	510	1030	785

Arctic Equipment Manufacturing Corporation reserves the right under its product improvement policy to change construction or design details and furnish equipment when so altered without reference to illustrations or specifications used herein.

